

Current clamps, 3 probes

111.7003

- ▶ 3 current clamps for PQ-Box, measurement range 0...20A



1. Use

These current clamps are designed for the measurement of current up to 20 A in low-voltage systems. It is also possible to use them in secondary circuit of current transformers in medium voltage systems.

2. Electrical characteristics

Rated current I_N	:	3 x 20A AC_{RMS}
Measurement range	:	0.1 – 30A $_{RMS}$
Output	:	10mV/A
Impedance	:	$\geq 10k\Omega$
Influence of conductor positioning	:	< 0.5% @ 50/60Hz
Proximity error	:	$\leq 15mA / A$ @ 50Hz
Phase shift at 2 kHz @ 10A	:	± 1 Grad
Frequency range	:	40Hz to 20 kHz
Temperature coefficient	:	0.015% / °C
Permissible voltage	:	600 V AC_{RMS} or DC

3. Accuracy

Range	20 A		
	Primary current	100 to 500mA	0,5 to 1 A
Accuracy (%)	$\pm 2\%$	$\pm 1\%$	$\pm 1\%$
Angle error (typ.)	Not defined	$\sim 2^\circ$	$\sim 2^\circ$

4. General Properties

Max. conductor cross-section	:	Diameter 15 mm, bar 15 x 17mm
Connection	:	Cable with Amphenol plug C01630H00611012
Identification resistance	:	0 Ohm (Bridge Pin 6 to 5)
Cable length	:	2 m
Operation temperature	:	-10 to +55 °C
Storage temperature	:	-20 to +70 °C
Humidity, in operation	:	15% to 85% (no condensate)
Weight	:	660g

Reference conditions: Temperature: +18° C to 26° C, Humidity: 20 to 75% RH, sinus current: 48 to 65Hz, Distortion factor: < 1%, DC current: no, DC magnetic field: 40 A/m Earth's magnetic field, Alternative magnetic field: no, Proximity to external conductor: no, Cable set-up: centralized, Impedance: ≥ 10 k Ω , <100 pF, for voltage output.

5. Connection

Pin 1	L1 (+) black	Pin 5	L1, L2, L3, N (-) red
Pin 2	L2 (+) black	Pin 6	Bridge to Pin 4, 5 und 7
Pin 3	L3 (+) black	Pin 7	Shielding
Pin 4	Bridge to Pin 6		

6. Safety Standard

EN61010-1: 1993 and correction A2: July 1995

EN61010-2-032: 1995

EN61010-2-031: 1995

600 V_{RMS}, CAT III

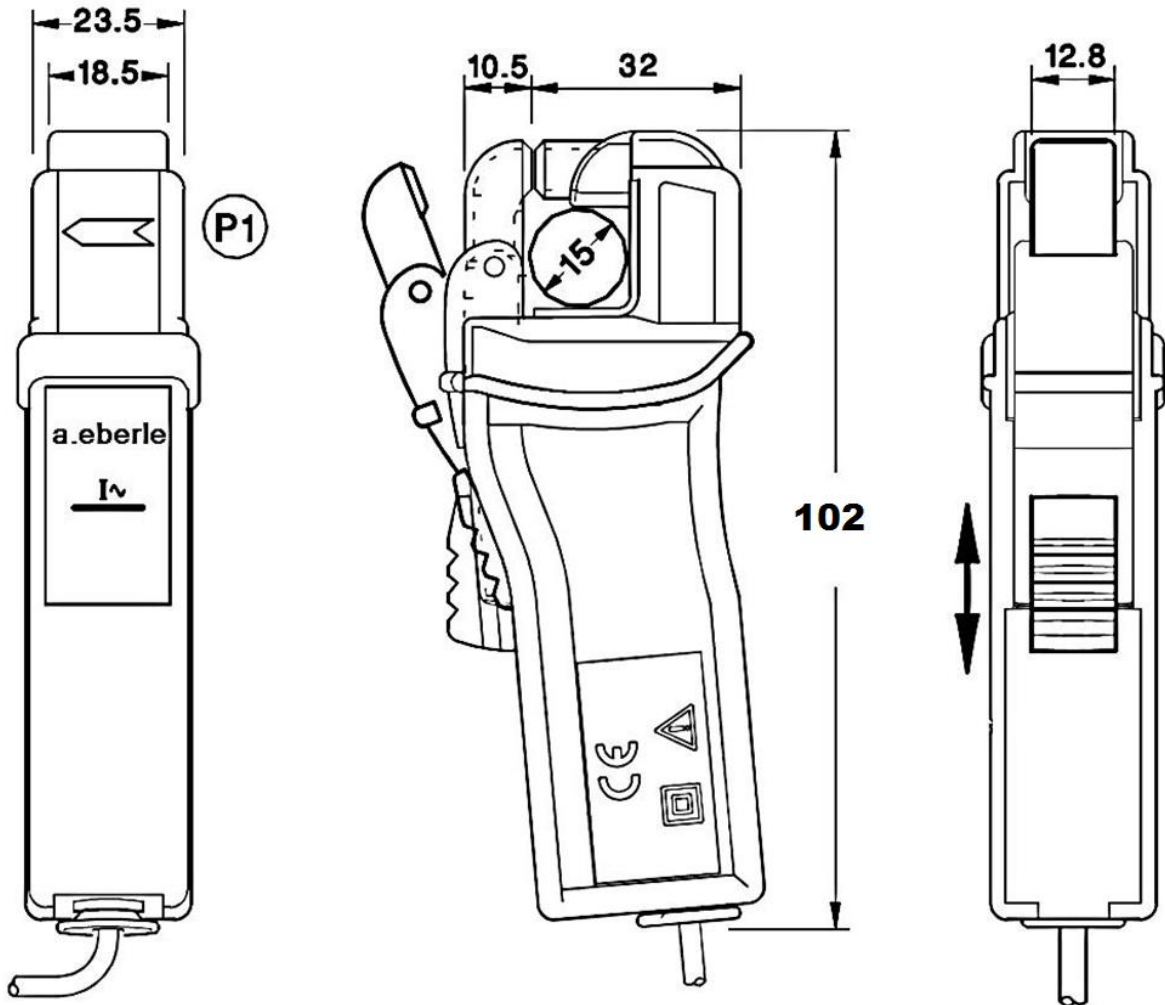
The usage of these current clamps at uninsulated conductors is limited to voltages of 600 V AC_{RMS} or DC and frequencies up to 1 kHz.

7. EMC Standards

EN 61326 :1998

8. Dimensions

in mm



We take care of it.

9. Ordering Information

FEATURE	ORDER CODE
Current clamps, 3 probes ● 3 current clamps, 0...20A	111.7003

A. Eberle GmbH & Co. KG

Frankenstraße 160
D-90461 Nürnberg

Tel.: +49 (0) 911 / 62 81 08-0
Fax: +49 (0) 911 / 62 81 08 96
E-Mail: info@a-eberle.de

<http://www.a-eberle.de>

Version: 11/6/2017 1:40 PM

Copyright 2013 by A. Eberle GmbH & Co. KG
Subject to change without notice.