

Rogowski coil set (4 pieces)

111.7085

► Rogowski coil set (4 pieces) for PQ-Box

1. Use

These Rogowski coils are designed for the measurement of current up to 500A in low voltage systems.



IP67

2. Electrical Properties

Rated current I_N	:	500A AC _{RMS}
Measurement range	:	1 – 500A _{RMS}
Output	:	42,5mV / 1000A at 50 Hz
Internal resistance	:	90Ω nominal
Impedance	:	≥ 10kΩ
Influence of conductor positioning	:	± 2,5%
Accuracy (at 25°C, 50Hz)	:	± 0,5%
Linearity (10...100% of measurement range)	:	± 0,2%
Influence of el. field (distance > 10cm)	:	± 0,25%
Repeat accuracy	:	± 0,5%
Proximity error	:	≤ 15mA / A @ 50Hz
Angle error at 45...65Hz	:	± 1 °
Frequency range	:	10Hz to 50kHz
Temperature coefficient	:	0.05% / °C
Permissible voltage	:	1000 V AC _{RMS} , CAT III

We take care of it.

3. General Properties

Coil length, diameter	:	220mm, 70mm
Coil body diameter	:	6,1mm
Coil material	:	Alcryn, ARNITE, SANTOPRENE
Connection	:	Cable with Amphenol plug C01630H00611012
Identification resistance	:	48 KOhm (between Pin 6 and 5)
Cable length plug to splitter	:	0,3 m
Cable length splitter to sensor head	:	1,5 m
Operation temperature	:	-20 to +65 °C
Storage temperature	:	-40 to +75 °C
Humidity, in operation	:	15% to 85% (no condensate)
Protection class	:	IP67 (sensor head)
Weight	:	480g

4. Connection

Pin 1	L1 (+) Black	Pin 5	L1, L2, L3, N (-) Red
Pin 2	L2 (+) Black	Pin 6	48kOhm to Pin 5
Pin 3	L3 (+) Black	Pin 7	Shielding, bridge to Pin 5
Pin 4	(N) (+) Black		

5. Safety Standard

EN 61010-1: 2001

EN 61010-031: 2002

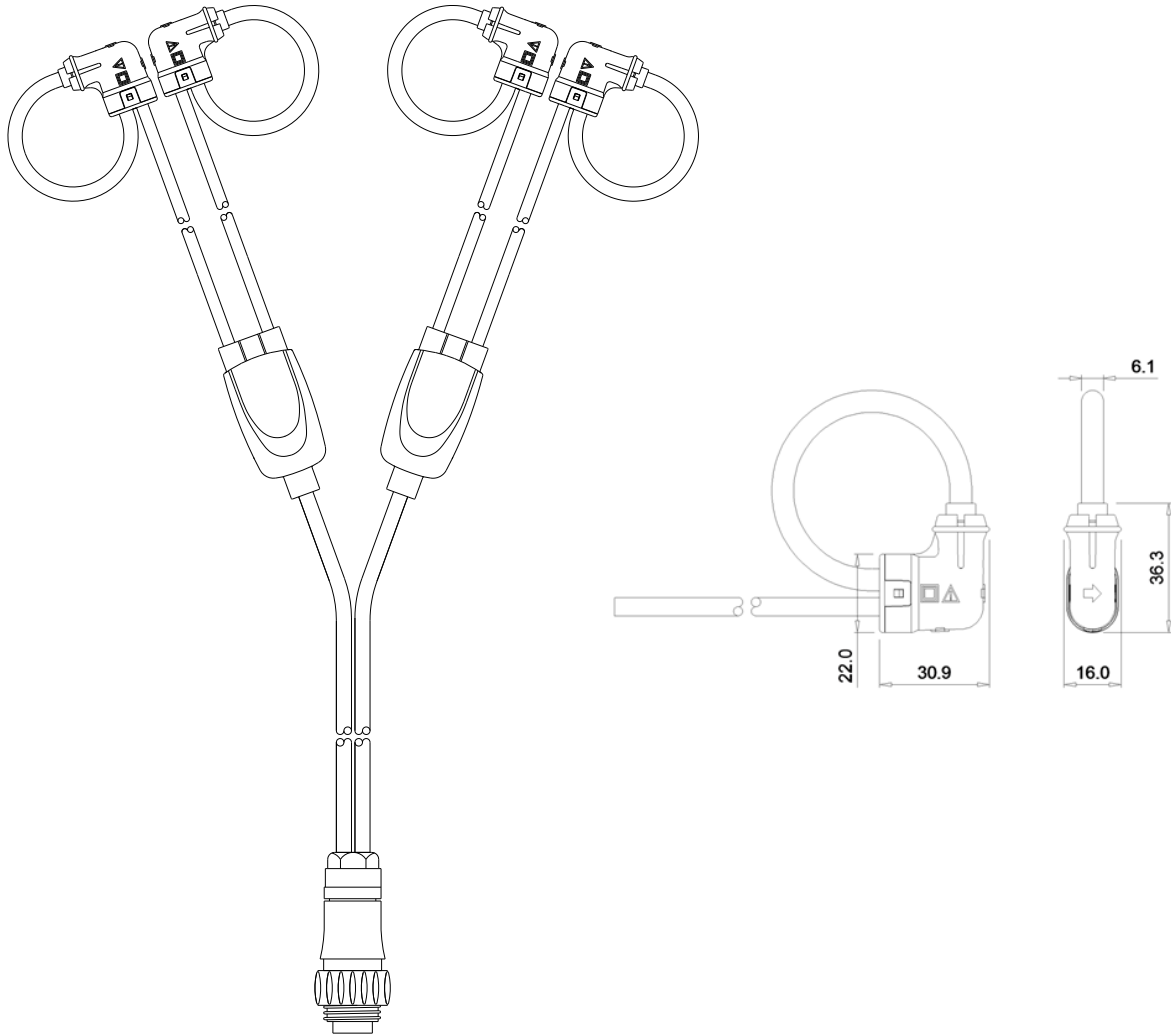
EN 61010-2-032: 2002

1000 V_{RMS}, CAT III

600 V_{RMS}, CAT IV

The usage of these Rogowski coils at uninsulated conductors is limited to voltages of max 1000 V AC_{RMS} and frequencies to 1 kHz.

6. Dimensions



We take care of it.

7. Ordering Information

FEATURE	ORDER CODE
Rogowski coil set (4 pieces) ● Rogowski coil set (4 pieces), 1...500A	111.7085

A. Eberle GmbH & Co. KG

Frankenstraße 160
D-90461 Nürnberg

Tel.: +49 (0) 911 / 62 81 08-0
Fax: +49 (0) 911 / 62 81 08 96
E-Mail: info@a-eberle.de

<http://www.a-eberle.de>

Version: 11/6/2017 2:49 PM

Copyright 2016 by A. Eberle GmbH & Co. KG
Subject to change without notice.