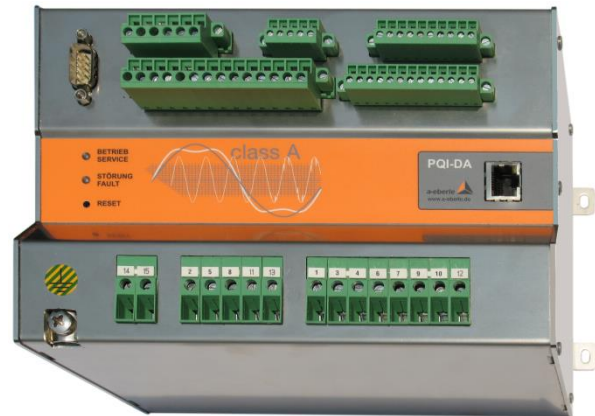


Power Quality Interface for Low-, Medium- and High- Voltage Networks

Type PQI-DA

- ▶ As wall mounted housing
- ▶ As DIN rail mounted housing



1. Application

The Power Quality-Interface for low-, medium- and high-voltage networks PQI-DA is the central component of a system, which executes all the measurement tasks in electrical networks.

The PQI-DA can be used both as Power Quality-Interface according DIN EN 50160 and as measuring device for all physically defined measured variables in three-phase systems.

The unit is mainly adapted for monitoring and recording certain supply qualities or quality objectives between utility and customer and, furthermore to provide the data for evaluation and storage.

Modern voltage-quality measurement devices operate according to IEC 61000-4-30. This standard defines measuring methods in order to establish a comparable basis for the user.

Devices from different manufacturers, operating according to this standard, have to provide approximately the same measurement results.

The standard distinguishes between two classes of measurement devices.

- Class A measurement devices are mainly used for contractual measurements in customer-supplier relations,
- Class B measurement devices can be used to determine statistical quality values.
For measurements according to EN50160 a class B device is sufficient.

For the following parameters PQI-DA fulfills the requirements of IEC 61000-4-30 for class A devices.

Parameter	Class
Accuracy of voltage measurement	A
Determination of time intervals	A
Marking of measured values at events	A
Harmonics, interharmonics	A
Frequency	A
Voltage asymmetry	A
Event recording	A
Time synchronization	A (with DCF77 or GPS)

In addition, three different fault recorders can be used.

The oscilloscope recorder collects fault records consisting of 96 μ s-sampling values whose length (pre-event and post-event history) is freely selectable.

The r.m.s. recorder collects fault records consisting of r.m.s. values of half-period values (10ms). The length of the fault record (pre-event and post-event history) is also freely selectable.

When exceeding a limiting value (harmonic or THD of a voltage), the harmonic recorder registers the corresponding spectrum of all harmonics from 2nd to 50th harmonic.

All fault records are triggered by a freely definable event. Phase-phase and phase-earth events can be recorded simultaneously.

The signal-voltage-recorder registers a freely adjustable frequency (e.g. ripple control frequency) over a period that can be selected.

Limit violations can be signaled via relays, if required.

On the input side (U, I) the interface is available in different hardware-versions.

Current inputs are available for the measuring circuit (C20, C30) and for the protection circuit (C21, C31).

The following input characteristics can be selected:

- 8 voltage transformers for power-quality applications in double-busbar systems (code C10)
- 4 voltage transformers and 4 current transformers for power quality and general measuring tasks (code C20, C21, C30, C31)

Theoretically, up to 255 devices can be interlinked via the system bus (E-LAN). Even connections to devices of the voltage regulator system REGSys™, the Peterson-coil controller REG-DP, the earthfault detection system EORSys and the collapse prediction system CPSys are possible.

Each device offers two RS 232 interfaces (COM1 and COM2) and two E-LAN (Energy Local Area Network) interfaces.

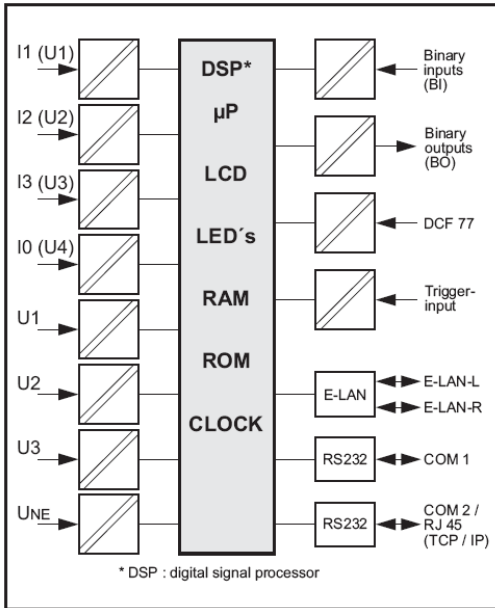
Optional the PQI-DA can be equipped with an integrated TCP/IP-interface. In this case COM 2 is not available.

Possible firmware-updates can be easily made via a pushbutton, prevented against unintentional touch.

1.1 Features of the Power-Quality-Interface PQI-DA

- Recording of the voltage quality according to DIN EN 50160
- Class A device according to IEC 61000-4-30
- Sampling frequency 10,24 kHz
- Fault recording function up to 20 x In
- Phase-phase and phase-earth measurements are possible simultaneously
- Voltage measurement channels for U12, U23, U31, UNE
- Measurement of currents I1, I2, I3, I0
- Acquisition of more than 3000 measured values parallel
- Freely programmable limiting values and output via insulated contacts.
- Freely programmable binary inputs to start or stop measurements
- Data analysis via WinPQ software, using a MySQL-supported database
- Version with integrated TCP/IP-interface available
- Connection to SCADA according IEC 870-5-103
- Connection to SCADA according IEC 61850 in preparation

1.2 Description



Function of Power Quality-Interfaces

2. Technical Data

Standards

IEC 61010-1	/ DIN EN 61010-1
IEC 60255-4	/ DIN EN 60255-4
IEC 61326-1	/ DIN EN 61326-1
IEC 60529	/ DIN EN 60529
IEC 60068-1	/ DIN EN 60068-1
IEC 60688	/ DIN EN 60688
IEC 61000-6-2	/ DIN EN 61000-6-2
IEC 61000-6-4	/ DIN EN 61000-6-4
IEC 61000-6-5	/ DIN EN 61000-6-5



AC voltage inputs	
Measurement voltage U_E	$0 \text{ V} < 100 \text{ V} \leq 2 \cdot U_N$ (E1) ^{*)} $0 \text{ V} < 230 \text{ V} \leq 2 \cdot U_N$ (E2) ^{*)}
Waveform	Any
Frequency range of the fundamental wave	45.... <u>50</u> <u>60</u>65 Hz

Integrated 4th order anti-aliasing filter
(Limit frequency: 2,5kHz).

Measurements up to the 50th harmonic are possible..

Internal consumption	$\leq U^2 / 360 \text{ k}\Omega$ (E1) $\leq U^2 / 230 \text{ k}\Omega$ (E2)
Overload capacity	200 V continuous L-E (E1) 460 V continuous L-E (E2)

Current inputs				
Option	C20	C21	C30	C31
Nominal current	1 A		5 A	
Current end range	$0 < I \leq 2$ A	$0 < I \leq 20$ A	$0 < I \leq 10$ A	$0 < I \leq 100$ A
Load (I_n)	$< 0.1 \text{ VA}$		$< 0.5 \text{ VA}$	
Measurement fault	$< \pm 0.1\%$ of measurement value			$< \pm 0.2\%$ of measurement value
Phase error	$< \pm 0.15^\circ$ Range 10% ... 100%	$< \pm 0.15^\circ$ Range 5% ... 50%	$< \pm 0.15^\circ$ Range 10% ... 100%	$< \pm 1.0^\circ$ Range 5% ... 10%
Bandwidth	25 Hz...3 kHz			
Harmonics 2nd ... 50th Measurement fault	$< \pm 5\%$ of measurement value $I_m = 1\% \dots 16\%$ of $I_n < \pm 0.05\%$ von $I_n - I_m < 1\%$ von I_n		$< \pm 10\%$ of measurement value I_m $= 1\% \dots 16\%$ of I_n $< \pm 0.1\%$ of I_n I_m $< 1\%$ von I_n	
Interharmonics 2nd ... 49th Measurement fault	$< \pm 5\%$ of measurement value $I_m = 1\% \dots 16\%$ of $I_n < \pm 0.05\%$ von $I_n - I_m < 1\%$ von I_n		$< \pm 10\%$ of measurement value I_m $= 1\% \dots 16\%$ of I_n $< \pm 0.1\%$ of I_n I_m $< 1\%$ of I_n	
Overload capacity permanent	5 A	10 A		
$\leq 10 \text{ s}$	10 A	30 A		
$\leq 1 \text{ s}$	30 A	100 A		
$\leq 5 \text{ ms}$	100 A	500 A		

*) Note: Codes e.g. "E1, E2, C20, C31..."; see characteristics on page 13 and 14

Binary inputs (BI)	
Control signals U_{st}	In the range AC/DC 48 V...230 V
Waveform	Rectangular, sinusoidal
<ul style="list-style-type: none"> — H – Level — L – Level 	≥ 35 V < 20 V
Signal frequency	DC ... 60 Hz
Switching delay	Selectable from 1..999 s
Input resistance	108 k Ω
Electrical isolation	Optocoupler; always two earthed

Binary outputs (BO)	
Max. switching frequency	≤ 1 Hz
Electrical isolation	Isolated from all internally potentials
Type of relay	Changeover contact
<ul style="list-style-type: none"> — Status, R2, R3 — R4, R5 	Galvanically isolated from each other Earthed
Contact load	AC: 250 V, 5 A ($\cos\varphi = 1,0$) AC: 250 V, 3 A ($\cos\varphi = 0,4$) DC: 220 V, 150 W switching capacity
No. of switching operations	$\geq 1 \cdot 10^4$ electrical
LED-display	
<ul style="list-style-type: none"> — Operation — Error 	Green Red

Limited value monitoring	
Limited values	Programmable
Response times	Programmable

Measurement quantities (selection from over 3000 measurement quantities)	
TRMS voltages	$U_{1N}, U_{2N}, U_{3N}, U_{NE}, U_{12}, U_{23}, U_{31}$
TRMS current	I_1, I_2, I_3, I_0
Active power	P_n
Reactive power	Q_n
Apparent power	S_n
Power factors	$\cos\varphi_n$
Harmonics U / I	up to the 50th.
Interharmonics	U / I
Frequency	f

Reference conditions	
Reference temperature	$23^\circ\text{C} \pm 1$ K
Input parameters	$U_E = 90 \dots 110\text{V}$ $I_E = 0 \dots 1\text{A} / 0 \dots 5\text{A}$
Auxiliary voltage	$H = H_n \pm 1 \%$
Frequency	50 Hz...60 Hz
Other	IEC 688 - Part 1

Transmission behaviour	
Error limit	(all errors related to Y2)
<ul style="list-style-type: none"> — Voltage: — Current: — Frequency: — Powers and all other measurement quantities: 	0,1 % 0,1 % (C20, C30) 0,5 % (C21, C31) 0,01 % (d.h. @ 50 Hz \Rightarrow 5 mHz) 0,25 % (C20, C30) 1,0 % (C21, C31)
Measurement cycle times	10 ms / 200 ms
Sampling rate	10,24 kHz

Storage of measured values	
Memory	64 MB

Electromagnetic Compatibility	
CE-conformity <ul style="list-style-type: none"> ● Electromagnetic Immunity <ul style="list-style-type: none"> — EN 61326 — EN 61000-6-2 ● Emitted interference <ul style="list-style-type: none"> — EN 61326 — EN 61000-6-4 	
ESD <ul style="list-style-type: none"> — IEC 61000-4-2 — IEC 60 255-22-2 	8 kV / 16 kV
Electromagnetic fields <ul style="list-style-type: none"> — IEC 61000-4-3 — IEC 60 255-22-3 	10 V/m
Burst <ul style="list-style-type: none"> — IEC 61000-4-4 — IEC 60 255-22-4 	4 kV / 2 kV
Surge 1 MHz Burst <ul style="list-style-type: none"> — IEC 61000-4-5 — IEC 61000-4-12 — IEC 60 255-22-1 	4 kV / 2 kV 2,5 kV, class III
Conducted high frequency magnetic fields <ul style="list-style-type: none"> — IEC 61000-4-6 — IEC 61000-4-8 — All positions 	10 V, 150 kHz ... 80 MHz 100 A/m continuous 1000 A/m 1 s
Voltage dips <ul style="list-style-type: none"> — IEC 61000-4-11 	30 % 0,02s, 60 % 1 s
Emitted interference <ul style="list-style-type: none"> — EN 61326 — EN 61000-6-4 ● Housing At a distance of 10m ● AC supply connection At a distance of 10m 	30...230 MHz, 40 dB 230...1000 MHz, 47 dB 0,15...0,5 MHz, 79 dB 0,5...5 MHz, 73 dB 5...30 MHz, 73 dB

Electrical safety	
Degree of protection	I
Degree of pollution	2
Measuring category	CAT III / 300 V (E1) CAT IV / 300V (E2)

Operating voltages	
50 V	230 V
E-LAN, COM-Server COM1 ... COM2 Time / Trigger-BUS	Auxiliary voltage Binary inputs Relay outputs

Power supply		
Feature	H0	H1
AC (internal)	-	-
AC	90...264 V	-
DC	100...300 V	18...72 V
Power consumption.	≤ 15 VA	≤ 15 Watt
Frequency	45...400Hz	-
Miniature fuse	T2 250 V	T2 250 V

The following applies to all features:
Voltage interruptions ≤ 80 ms do not cause a fault or loss of data.

Environmental conditions	
Temperature range <ul style="list-style-type: none"> — Function — Transport and storage 	-15 ... +55°C -25 ... +65°C
Humidity <ul style="list-style-type: none"> — No condensation on 30 days/year 	95 % rel.
Dry, cold <ul style="list-style-type: none"> — IEC 60068-2-1 	-15°C / 16 h
Dry, hot <ul style="list-style-type: none"> — IEC 60068-2-2 	+55°C / 16 h
Constant humid heat <ul style="list-style-type: none"> — IEC 60068-2-3 	+ 40 °C/93 % / 2 days
Cyclical humid heat <ul style="list-style-type: none"> — IEC 60068-2-30 	12+12h, 6 cycles, +55°C/93%
Toppling <ul style="list-style-type: none"> — IEC 60068-2-31 	100 mm drop unwrapped
Vibration <ul style="list-style-type: none"> — IEC 60255-21-1 	Class 1
Impact <ul style="list-style-type: none"> — IEC 60255-21-2 	Class 1

Data storage	
Device settings	Serial EEPROM with ≥ 1000 k read/write cycles
RAM - data	Li – battery laser-welded

3. Mechanical Design

3.1 Housing

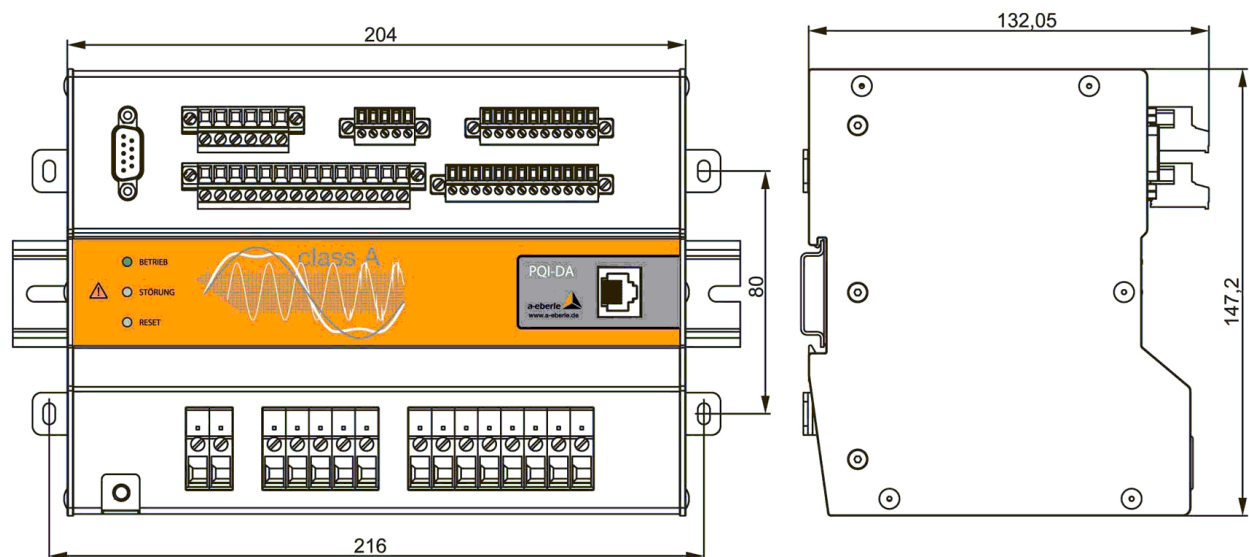
The Power Quality-Interface PQI-DA is kept in a rugged stainless steel case.

All connections are accessible via Phoenix terminals. The connections are made in plug-in/clamping technology, except the current and voltage inputs.

If the option COM-Server (code T1) is selected, a RJ 45-connection is available.

The PQI-DA is applicable both as wall mountable as well as DIN rail mountable housing.

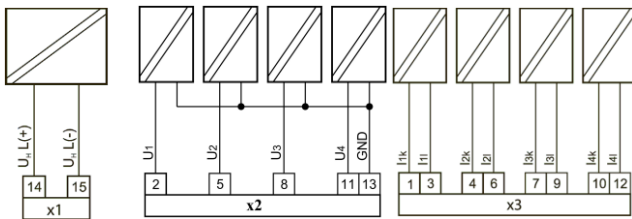
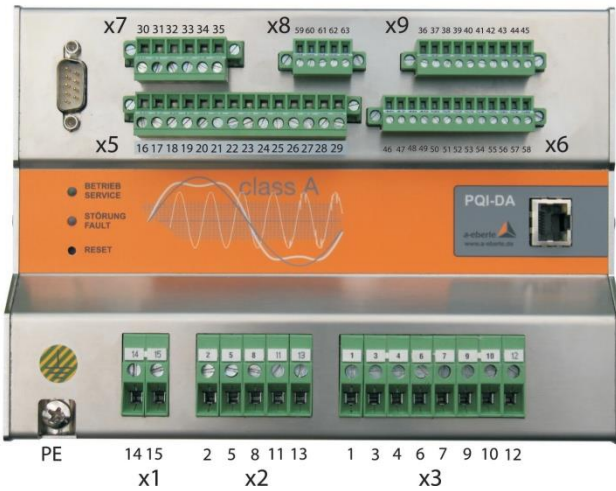
Material	Stainless steel
Degree of protection <ul style="list-style-type: none"> — Housing — Terminals 	IP 40 IP 20
Weight	≤ 2 kg
Dimensions	See fig. below
Connection elements	Screw terminals



Dimensions

4. PQI-DA 4U / 4I

4.1 Assignment of the terminal blocks x1 ... x3

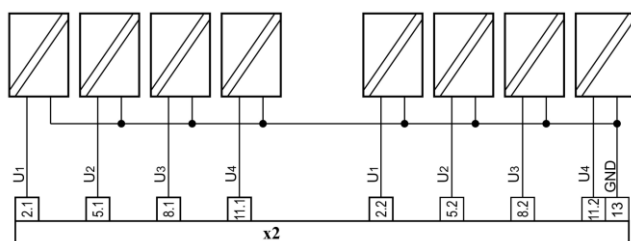
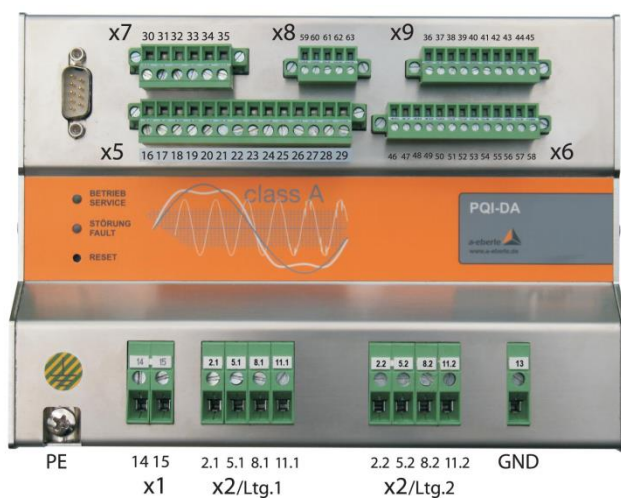


PQI-DA 4U / 4I – Assignment of the terminal blocks x1 ... x3

Terminal block no.	Description	Function	Terminal no.
x1	Auxiliary voltage	U _H	L (+)
			L (-)
x2	Phase voltage L1 (AC)	U ₁	L1
	Phase voltage L2	U ₂	L2
	Phase voltage L3	U ₃	L3
	Neutral voltage	U ₄	N
	Ground	GND	E
x3	Phase current L1	I ₁	k l
	Phase current L2	I ₂	k l
	Phase current L3	I ₃	k l
	Neutral-current	I ₄	k l

5. PQI-DA 8U

5.1 Assignment of terminal blocks x1 ... x2

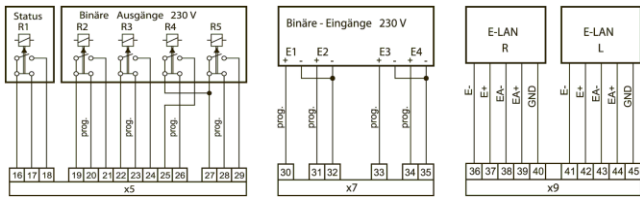


PQI-DA 8U – Assignment of terminal blocks x1 ... x2

Terminal block no.	Description		Function	Terminal no.
x1	Auxiliary voltage	U_H	L (+)	14
			L (-)	15
x2 Line 1	Phase voltage	U_1	L1	2.1
	Phase voltage	U_2	L2	5.1
	Phase voltage	U_3	L3	8.1
	Neutral voltage	U_4	N	11.1
x2 Line 2	Phase voltage	U_1	L1	2.2
	Phase voltage	U_2	L2	5.2
	Phase voltage	U_3	L3	8.2
	Neutral voltage	U_4	N	11.2
	Ground	GND	E	13

6. PQI-DA 4U / 4I and 8U

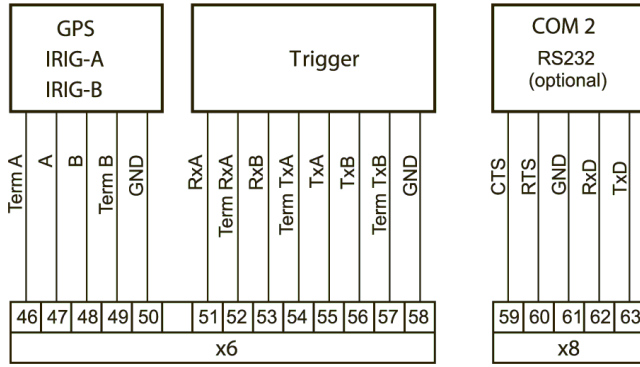
6.1 Assignment of terminal blocks x5 ... x9



PQI-DA 4U / 4I and 8U – Assignment of terminal blocks x5 ... x9

Terminal block no.	Description	Function	Terminal no.	
x5	Status	R1	Pole	16
			NC contact	17
			NO contact	18
	Binary outputs 230 V	R2	Pole	19
			NC contact	20
		NO contact	21	
R3		Pole	22	
	NC contact	23		
	NO contact	24		
	R4	Pole	27	
	NC contact	26		
	NO contact	25		
	R5	Pole	27	
	NC contact	28		
	NO contact	29		
x7	Binary inputs 230 V	E1	+	30
		E2	+	31
		E1 / E2	GND	32
		E3	+	33
		E4	+	34
		E3 / E4	GND	35
x9	E-LAN R (right)	E-		36
		E+		37
		EA-		38
		EA+		39
		GND		40
	E-LAN L (left)	E-		41
		E+		42
		EA-		43
		EA+		44
		GND		45

We take care of it



PQI-DA 4U / 4I and 8U – Assignment of terminal blocks x6 ... x8

Terminal block no.	Description	Function	Terminal no.
x6	GPS, IRIG-A IRIG-B adapter card	Term A	46
		A	47
		B	48
		Term B	49
		GND	50
	Trigger	RxA	51
		Term RxA	52
		RxB	53
		Term TxA	54
		TxA	55
		TxB	56
		Term TxB	57
		GND	58
x8	COM 2 RS 232	CTS	59
		RTS	60
		GND	61
		RxD	62
		TxD	63

7. Serial interfaces

7.1 RS232 interfaces

Each PQI-DA has two RS 232 interfaces referred to as COM 1 and COM 2.

COM 1 can be used as a parameterisation and programming interface via a 9-pole SUB-D plug.

COM 2 can be wired via a plug-in terminal block.

If option T1 (COM server / TCP/IP) is selected, an RJ 45 connection is available instead of COM 2.

Connection elements	
COM 1	Pin strip, Sub Min D on the front of the device, pin assignment as on PC
COM 2	Terminal strip x8
Connection options	PC, Terminal, modem, PLC
Number of data bits/ protocol	Parity 8, even, off, odd
Transfer rate bit/s	1200, 2400, 4800, 9600, 19200, 38400, 57600, 76800, 115200
Handshake	RTS / CTS oder X _{ON} / X _{OFF}

7.2 TCP/IP

The TCP/IP or COM server interface is galvanically isolated from all other electrical circuits.

Communication via this interface is possible with a baud rate of 100 MBaud.

Parameterisation of the connection (IP address etc.) is carried out using the WinPQ parameterisation software.

7.3 RS485 Interfaces

Each PQI-DA is equipped with a double E-LAN interface as standard. It provides the bus connection to PQI-DAs, REG-D voltage regulators, REG-DP Petersen coil regulators, or an EORSys earth fault locating system.

7.4 E-LAN (Energy-Local Area Network)

Features

- 255 bus stations can be addressed
- Multimaster structure
- Integrated repeater function
- Open ring, bus or combination of bus and ring possible
- Log based on SDLC/HDLC framework
- Transfer rates of 62.5 or 125 kbit/s
- Telegram length 10 to 30 Bytes
- Average throughput approx. 100 telegrams / s

8. Hardware-orientated device versions

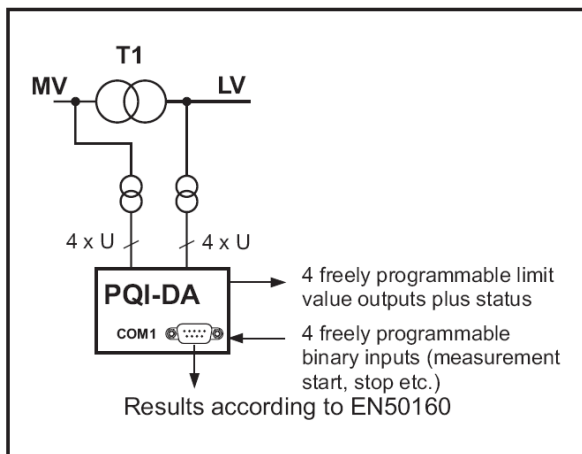
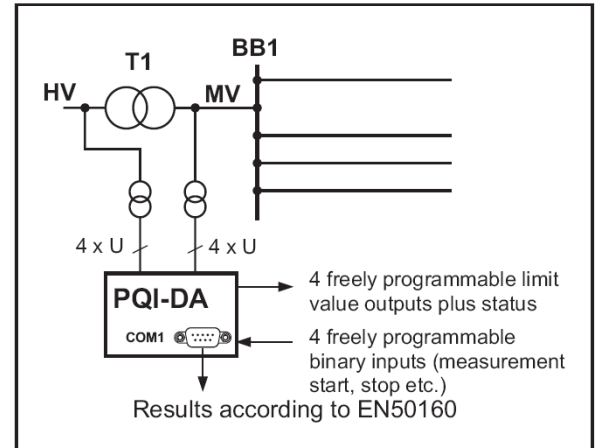
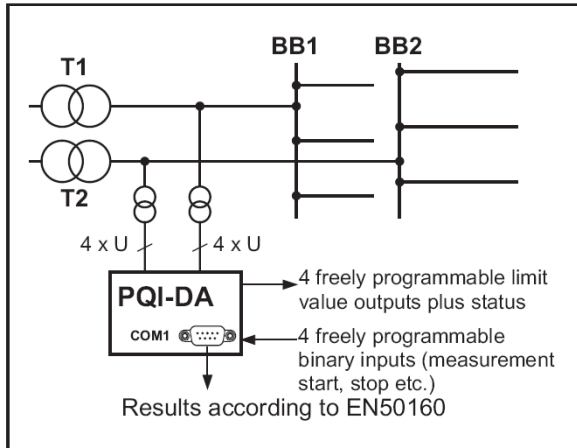
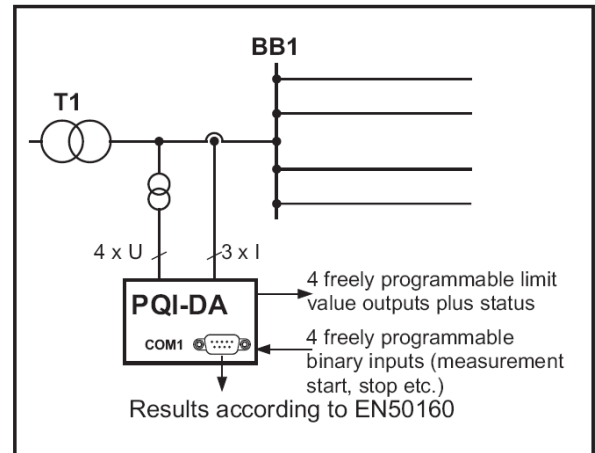
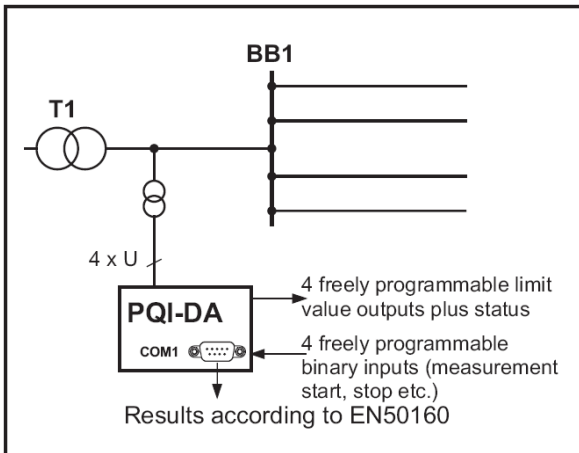
The flexibility of the system, i.e. precisely matching specific requirements, can also be achieved using the hardware characteristics of the input and output configuration.

9. Measurement inputs

Feature	
C10	2 x 4 voltage inputs (100V / 230V) for double busbar system
C20...C31	4 voltage inputs (100V / 230V), 4 current inputs (1 A / 5 A)

10. Application Examples (a selection)

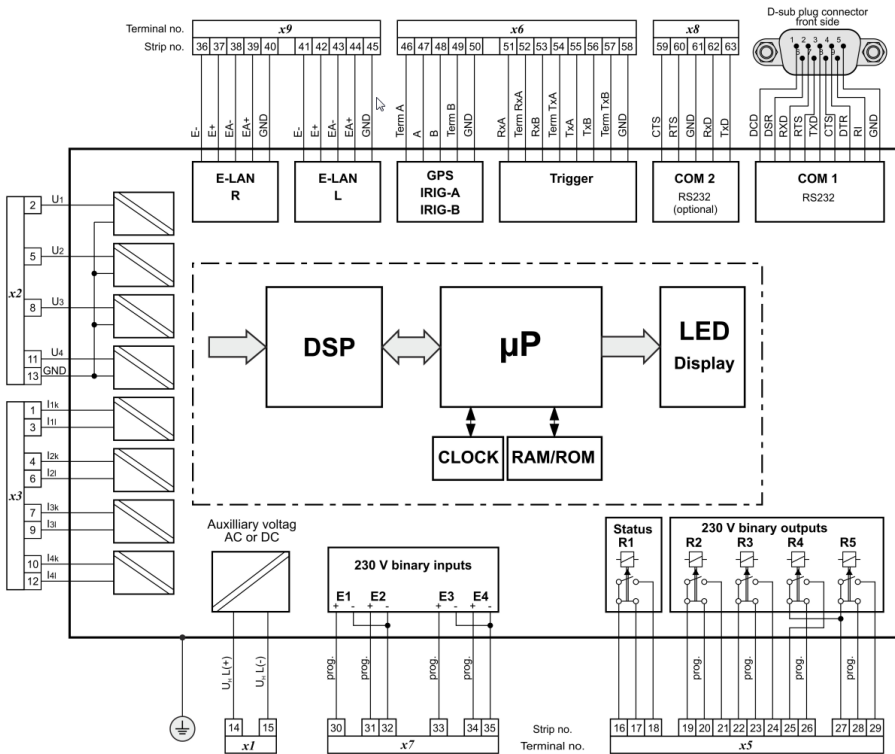
There are 5 typical applications using feature "C"



Application Examples

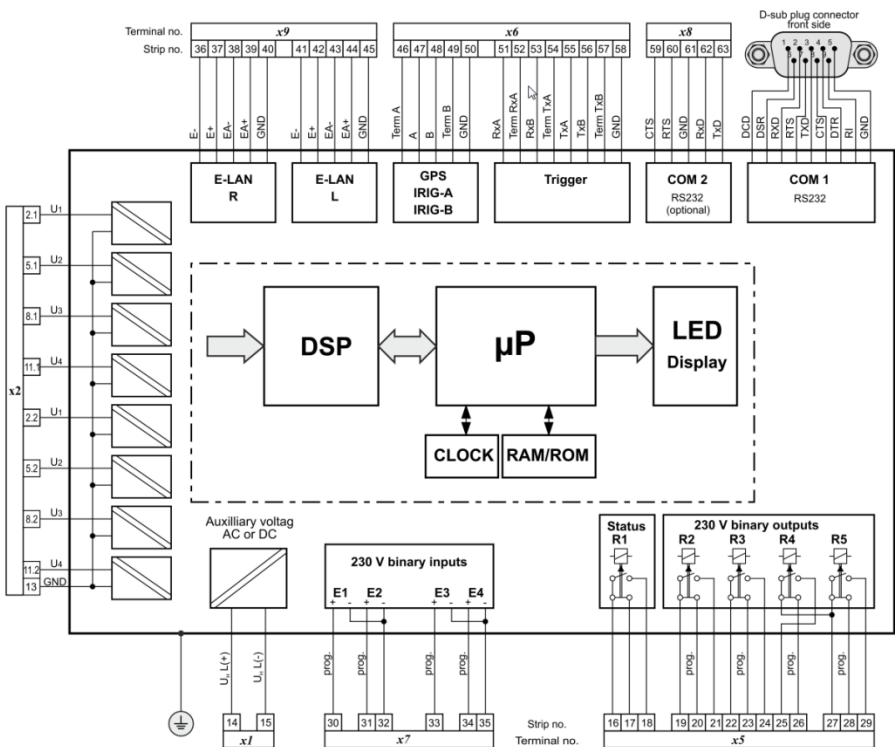
11. Block diagram PQI-DA 4U / 4I

Features C20, C21, C30, C31



12. Block diagram PQI-DA 8xU

Features C10



13. Ordering information

When ordering please note:

- Only one code with the same capital letter is possible
- If the capital letter is followed by the number 9, additional details in plain text are required
- If the capital letter is followed by 0, the code can be omitted.

Characteristic	Code
Power Quality Interface <ul style="list-style-type: none"> ● for medium and high voltage systems ● according to DIN EN-50160 und IEC 61000-4-30 (class A) ● with 4 binary in- and outputs plus life-contact ● with two E-LAN interfaces for communication with ● other REGSys- components like REG-D(A), PAN-D, REG-DP(A) ● as wall- and/or DIN-rail mounting enclosure (204x142x132) mm 	PQI-DA
Power Supply <ul style="list-style-type: none"> ● AC 90V..110V..264V oder DC 100V..220V..300V ● DC 18V...60V...72V 	H0 H1
Input Configuration <ul style="list-style-type: none"> ● 2 x 4 VTs ● 4 VTs, 4 CTs In=1 A (Imax < 2x In) ● 4 VTs, 4 CTs In=1 A (Imax < 20 x In) ● 4 VTs, 4 CTs In= 5 A (Imax < 2 x In) ● 4 VTs, 4 CTx In= 5 A (Imax < 20 x In) 	C10 C20 C21 C30 , C31
Additional Interface <ul style="list-style-type: none"> ● as RS 232 ● as COM-Server (RJ 45) ● IEC 61850 	T0 T1 T2
Rated Input Values <ul style="list-style-type: none"> ● 100 V / 110 V (CAT III 300V) ● 230 V / 400 V (CAT IV300V) Other rated values (e.g. 4 x 100V and 4 x 400V) Please note: E9 can only be chosen together with C10	E1 E2 E9
Binary Inputs <ul style="list-style-type: none"> ● 4 programmable binary inputs (AC/DC 48...250V) ● 4 programmable binary inputs (DC 10...48V) ● 4 programmable binary inputs with other input voltages 	M1 M2 M9
Instruction Manual <ul style="list-style-type: none"> ● German ● English ● French ● Spanish ● Italian 	G1 G2 G3 G4 G5

Characteristic	Code
Software WinPQ in order to parameterize, to archive and evaluate PQI-DA measured values, with the following basic functions: <ul style="list-style-type: none"> ● 32-bit-Windows programming interface ● SQL-data base for the recording of the measured values per measuring point ● Data access via TCP/IP ● All measured values can be visualized both as a function of time and as statistical figure ● One further licence is included in the price 	WinPQ
Licences <ul style="list-style-type: none"> ● as licence for 2 PQI-D ● as licence for 2 to 10 PQI-D ● as licence for more than 10 PQI-D 	L0 L1 L2
Language <ul style="list-style-type: none"> ● German ● English ● French 	A1 A2 A3
Additional licence for WinPQ for up to three PCs	
Software PQParaExpress In order to parameterize PQI-DA and to read-out PQI-DA measured values as single licence (free of charge)	PQParaExpress
Additional licence for ParaPQ	
Accessories	Code
<ul style="list-style-type: none"> ● TCP/IP Adapter 100MBit ● DIN-rail 35mm with power supply unit AC 230V ● TCP/IP Adapter; with extended bit rate 100 Mbit 	A90 A01 A90
Radio clock DCF 77	111.9024
GPS Time clock - H1: AC/DC 88V...264V D2: RS485	111.9024.45
GPS Time clock - H2: DC 18V...72V D2: RS485	111.9024.46
Tele-or Least-Line-Modem, Industrial version power supply AC 20V ... 264V / DC 14V ... 280V	111.9030.17
IRIG-DCF77 - Converter (10 TE) <ul style="list-style-type: none"> ● AC 85V ... 110V ... 264V / DC 88V ... 220V ... 280V ● DC 18V ... 60V ... 72V ● As wall mounting version 20TE 	IRIG-DCF H1 H2 B2
Instruction manual German English	G1 G2



A. Eberle GmbH & Co. KG

Frankenstraße 160

D-90461 Nuremberg

Tel.: +49 (0) 911 / 62 81 08-0

Fax: +49 (0) 911 / 62 81 08 96

E-Mail: info@a-eberle.de

<http://www.a-eberle.de>

Software - Version:

Copyright 2012 by A. Eberle GmbH & Co. KG

All rights reserved.

Version: _130117

Version: 2/24/2021 10:34 AM

Power Quality Interface – PQI-DA